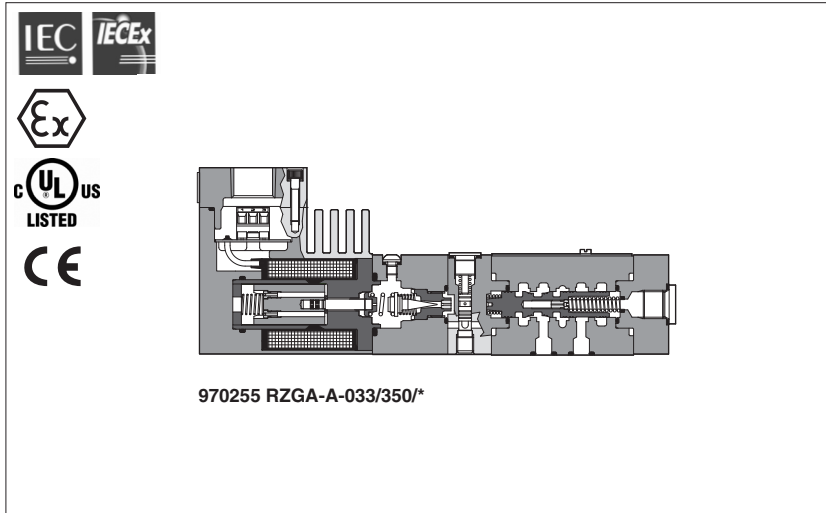


Ex-proof proportional pressure control valves - Pmax 350 bar

Atex, IECEx or cULus certified



Ex-proof proportional pressure relief, compensator and reducing valves with pressure regulation range up to 350 bar, instead of 315 / 250 bar of standard executions.

They are available with following certifications:

- ATEX 94/9/CE, protection mode Ex II 2GD Ex d IIC T6/T5/T4, Ex tD A21, IP67 (solenoids group II for surface plants with gas, vapors and dust environment, category 2, zone 1, 2, 21, and 22)
- ATEX 94/9/CE, protection mode Ex I M2 Ex d I (solenoids group 1 for surface, tunnels or mining plants)
- IECEx worldwide recognized safety certification, Ex d IIC T6/T4/T3, Ex tD A21 IP67
- cULus according to UL1002 and CSA 22.2 n°139-1982 Standard, Class I, Groups C&D (Groups IIA & IIB to NEC 505-7)
- Rostechnadzor Russian certification Ex d IIC T6/T4/T3

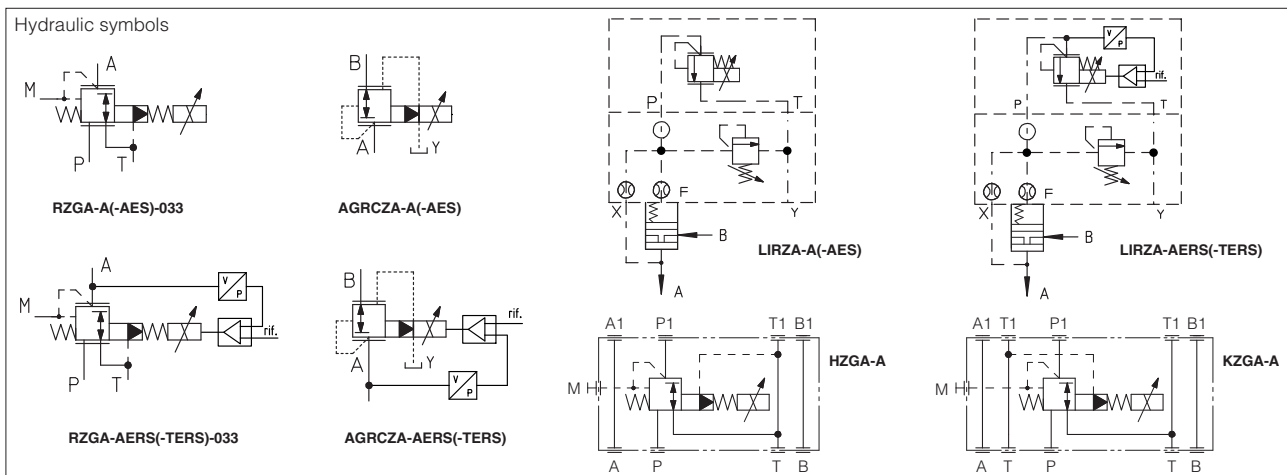
1 MODEL CODE OF EX-PROOF PROPORTIONAL PRESSURE REDUCING VALVES

970255	-	***	/	350	/	***
Special number for execution Pmax = 350 bar to be added to standard valves model code						Options (see standard valves model code)
Model code: RZGA-A (1) RZGA-AES, -TERS, -AERS (2) HZGA-A (1) KZGA-A (1) AGRCZA-A (1) AGRCZA-AES, -TERS, -AERS (2) LIRZA-A (1) LIRZA-AES, -TERS, -AERS (2)						Max regulated pressure = 350 bar

(1) see KT master catalog, table F600 (Multicertification Atex, IECEx and Rostechnadzor), E125 (cULus)

(2) see KT master catalog, table F650 (Atex and IECEx)

2 HYDRAULIC CHARACTERISTICS OF PROPORTIONAL PRESSURE REDUCING VALVES



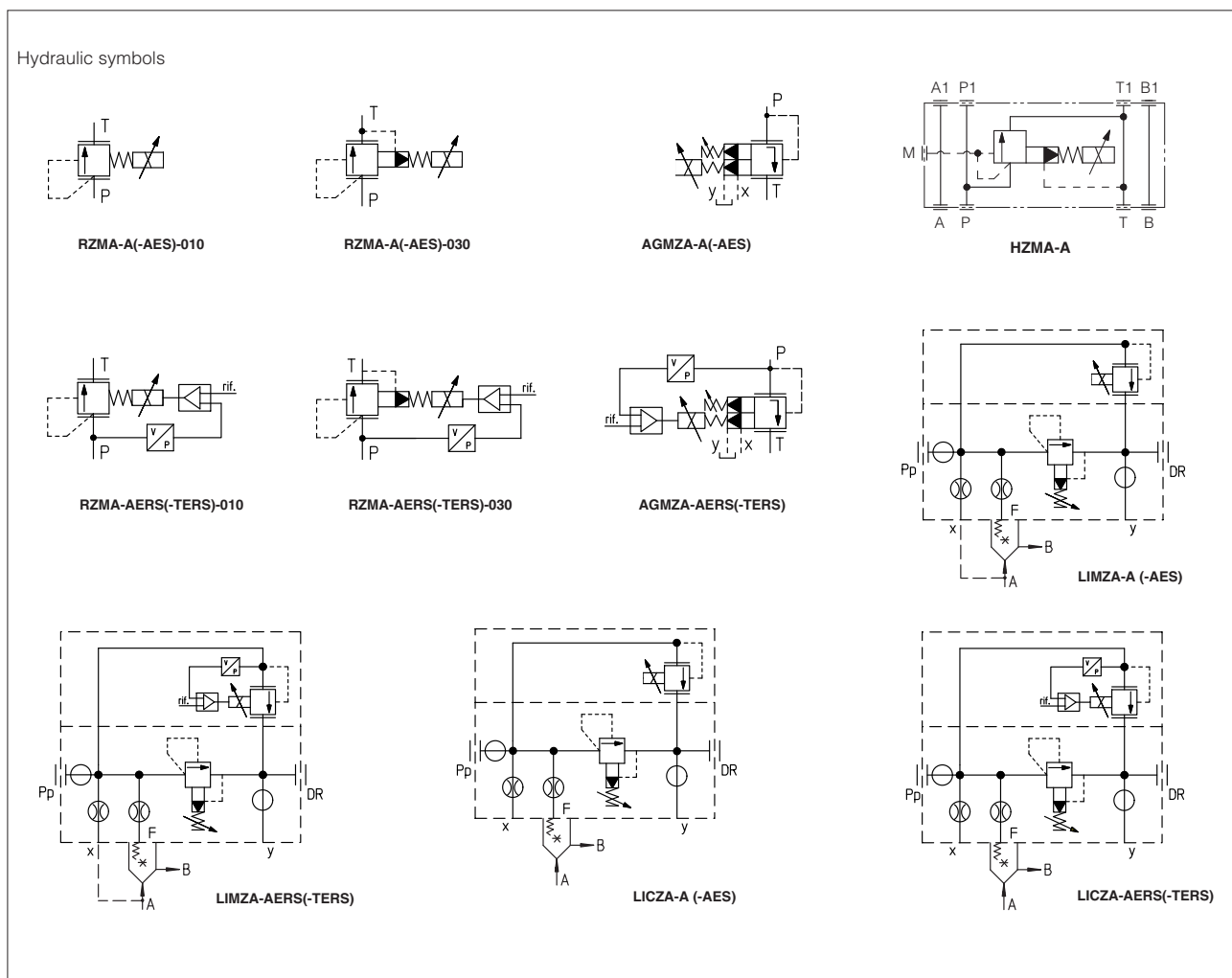
Valve model	RZGA	HZGA	KZGA	AGRCZA		LIRZA			
Size code	033	031	10	10	20	1	2	3	4
Valve size	06	06	10	10	20	16	25	32	40
Max regulated pressure[bar]	350								
Min regulated pressure [bar]	3	3	3	3	3	12	12	12	12
Max pressure at port P, A, B, X [bar]	350								
Max pressure at port T, Y [bar]	210								
Max flow [l/min]	40	40	100	160	300	160	300	550	800

3 MODEL CODE OF EX-PROOF PROPORTIONAL PRESSURE RELIEF AND COMPENSATOR VALVES

970255	-	***	/	350	/	***
Special number for execution Pmax = 350 bar to be added to standard valves model code						Options (see standard valves model code)
Model code: RZMA-A (1) RZMA-AES, -TERS, -AERS (2) HZMA-A (1) AGMZA-A (1) AGMZA-AES, -TERS, -AERS (2) LIMZA-A (1) LIMZA-AES, -TERS, -AERS (2) LICZA-A (1) LICZA-AES, -TERS, -AERS (2)						Max regulated pressure = 350 bar

(1) see KT master catalog, table F600 (Multicertification Atex, IECEx and Rostechnadzor), E125 (cULus)
 (2) see KT master catalog, table F650 (Atex and IECEx)

4 HYDRAULIC CHARACTERISTICS OF PROPORTIONAL RELIEF AND COMPENSATOR VALVES



Valve model	RZMA		HZMA	AGMZA			LIMZA								LICZA				
Size code	010	030	030	10	20	32	1	2	3	4	5	6	8	1	2	3	4	5	
Valve size	06		06	10	20	32	16	25	32	40	50	63	80	16	25	32	40	50	
Min regulated pressure [bar]	8	7	7	11	11	10	11	11	10	13	15	15	18	12	11	11	15	18	
Measured with flow [l/min]	1	10	10	25	25	25	20	40	75	100	200	300	450	20	40	75	100	200	
Max regulated pressure [bar]	350																		
Max pressure at port P, A, B, X [bar]	350																		
Max pressure at port T, Y [bar]	210																		
Max flow [l/min]	4	40	40	200	400	600	200	400	750	1000	2000	3000	4500	200	400	750	1000	2000	